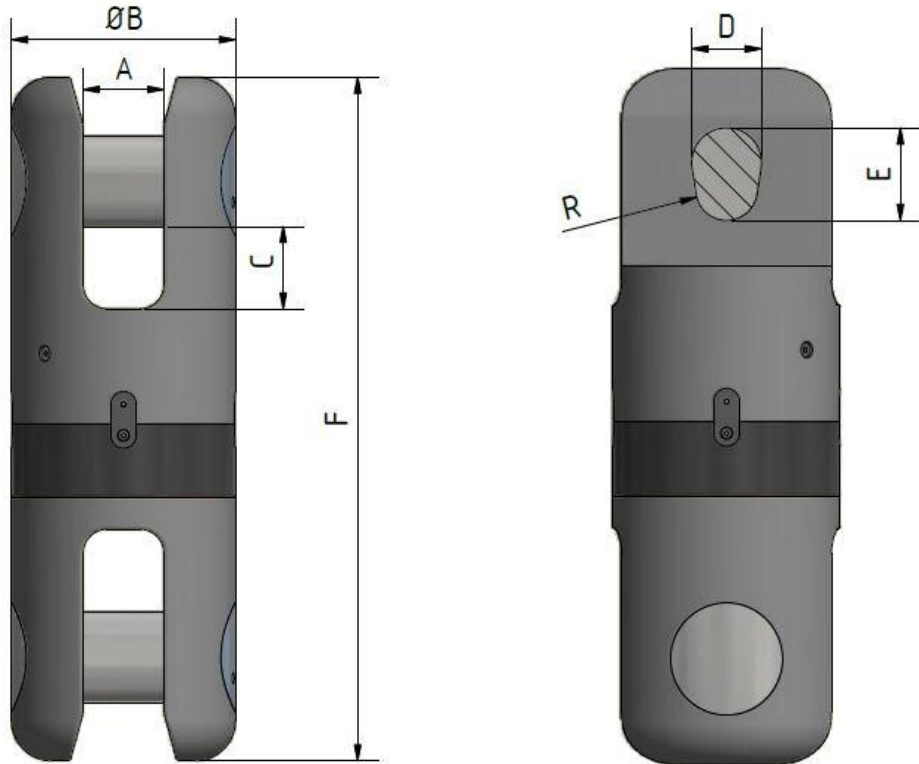


Swivels



Jaw & Jaw Bearing Swivel



chain dia.	A	ϕB	C	D	E	F	R	MBL
70-84	101	280	103	86	114	856	38	400 To

Feubo's Heavy duty swivel incorporates a roller bearing, designed to eliminate minimal torque and requiring only a small breakout torque. The internal parts are sealed to protect them against corrosion and dirt. It is the most economic version of feubo's line of bearing swivels.

The swivel is fitted with feubo's pressure compensation valves and can be used at any water depth.

As a standard it comes with a 3rd party witnessed load test and full scope NDT certificate.

Application:

Manufactured & Tested:

Material:

Features:

Lifting and Rigging

in Germany by Feubo

Forged Steel

Roller bearings